



Automatic Lint Filter

ALF Series

MODEL : ALF-250, ALF-350, ALF-450,
ALF-650, ALF-800, ALF-1100

SPECIFICATION

Standard Features :

- Timer control
- Dry lint filter type
- Automatic cleaning
- Fire suppression system
- Voltage : 220 V / 50 Hz / 1 ph
- Automatic operation with dryers
- Heavy duty construction with 3 layers rust proof paint

MODEL	ALF-250	ALF-350	ALF-450	ALF-650	ALF-800	ALF-1100
Dry Max. (lbs.)	250	350	450	650	800	1100
CFM	6500	10000	15000	20000	25000	40000
Screen Area (sq.ft)	21	30	45	68	83	130
ØA	1120	1120	1270	1625	2150	1625x2
B	1850	2250	2600	3000	3100	3000
ØC	650	650	800	1200	1600	1200
D	550	610	760	900	1270	1797
E	850	950	1095	1400	1270	1400
F	865	1165	1335	1450	1630	1450

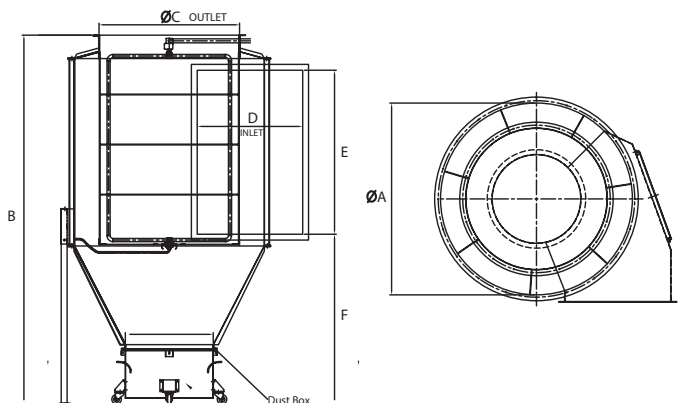
Specification of design is subject to change without notice. For additional options please consult factory and distributor.



ALF-250, 350, 450, 650, 800



ALF-1100



ISO 13485 : 2016



ISO 9001 : 2015



ISO 14001 : 2015



ISO 45001 : 2018

ACCURATE TECHNOLOGIES CO., LTD.

Bangkok, Thailand Phone : +66(0)2740-5511 (Auto) Fax : +66(0)2752-2773

Website : www.imagelaundrysystems.com Email : sales@imagelaundrysystems.com

Rev. 2026-001