

# SPECIFICATION



XPW

MODEL	Matric	US	XPW-60/7	XPW-60/8	XPW-60/9	XPW-60/10	XPW-60/11	XPW-60/12	XPW-60/13	XPW-60/14	XPW-60/15	XPW-60/16
<b>Hourly Capacity :</b>												
Washtime 30 min.		Kg/hr	840	960	1080	1200	1320	1440	1560	1680	1880	1920
Cycle time		min <sup>-1</sup>	4.3	3.8	3.3	3	2.7	2.5	2.3	2.1	2	1.9
<b>Overall Dimensions :</b>												
Machine Width	mm.	inch.	2470 (97.24)	2470 (97.24)	2470 (97.24)	2470 (97.24)	2470 (97.24)	2470 (97.24)	2470 (97.24)	2470 (97.24)	2470 (97.24)	2470 (97.24)
Machine Depth	mm.	inch.	7980(314.17)	8680(314.73)	9380(369.29)	10080(396.85)	10780(424.40)	11480(451.96)	12180(479.52)	12880(507.08)	13580(534.64)	14280(562.20)
Machine Height	mm.	inch.	2966 (116.77)	2966 (116.77)	2966 (116.77)	2966 (116.77)	2966 (116.77)	2966 (116.77)	2966 (116.77)	2966 (116.77)	2966 (116.77)	2966 (116.77)
<b>Drum Information :</b>												
Drum Diameter	mm.	inch.	1800 (70.86)	1800 (70.86)	1800 (70.86)	1800 (70.86)	1800 (70.86)	1800 (70.86)	1800 (70.86)	1800 (70.86)	1800 (70.86)	1800 (70.86)
Drum length middle	mm.	inch.	700 (27.55)	700 (27.55)	700 (27.55)	700 (27.55)	700 (27.55)	700 (27.55)	700 (27.55)	700 (27.55)	700 (27.55)	700 (27.55)
Drum length first compartment	mm.	inch.	1215 (47.83)	1215 (47.83)	1215 (47.83)	1215 (47.83)	1215 (47.83)	1215 (47.83)	1215 (47.83)	1215 (47.83)	1215 (47.83)	1215 (47.83)
Drum speed		rpm.	10	10	10	10	10	10	10	10	10	10
<b>Drive Information :</b>												
Number of Motors	Number		1	1	1	1	1	1	1	1	2	2
Drive Motor	kW.	HP.	15 (20)	15 (20)	15 (20)	15 (20)	18.5 (25)	18.5 (25)	22 (30)	22 (30)	18.5 (25)	18.5 (25)
Number of Motors	Number		2	2	2	2	2	2	2	2	2	2
Water Pump Motor	kW.	HP.	1.1 (1.5)	1.1 (1.5)	1.1 (1.5)	1.1 (1.5)	1.1 (1.5)	1.1 (1.5)	1.1 (1.5)	1.1 (1.5)	1.1 (1.5)	1.1 (1.5)
Number of Motors (Optional)	Number		1	1	1	1	1	1	1	1	1	1
Filter Motor (Optional)	kW.	HP.	0.25 (0.34)	0.25 (0.34)	0.25 (0.34)	0.25 (0.34)	0.25 (0.34)	0.25 (0.34)	0.25 (0.34)	0.25 (0.34)	0.25 (0.34)	0.25 (0.34)
<b>Water Inlets and Consumption :</b>												
Cold Water Connection	mm.	inch.	(50.8) 2"	(50.8) 2"	(50.8) 2"	(50.8) 2"	(50.8) 2"	(50.8) 2"	(50.8) 2"	(50.8) 2"	(50.8) 2"	(50.8) 2"
Water Flow Pressure	bar.	psi.	3-6 (44-87)	3-6 (44-87)	3-6 (44-87)	3-6 (44-87)	3-6 (44-87)	3-6 (44-87)	3-6 (44-87)	3-6 (44-87)	3-6 (44-87)	3-6 (44-87)
Water Consumption	L/kg dry linen		6-8	6-8	6-8	6-8	6-8	6-8	6-8	6-8	6-8	6-8
<b>Drain Outlets and Capacity :</b>												
Number of Drains	Number		1	1	1	1	1	1	1	1	1	1
Drain Size	mm.	inch.	(101.6) 4"	(101.6) 4"	(101.6) 4"	(101.6) 4"	(101.6) 4"	(101.6) 4"	(101.6) 4"	(101.6) 4"	(101.6) 4"	(101.6) 4"
<b>Steam Inlet and Consumption :</b>												
Steam Connection (Flange)	mm.	inch.	(63.5) 2½"	(63.5) 2½"	(63.5) 2½"	(63.5) 2½"	(63.5) 2½"	(63.5) 2½"	(63.5) 2½"	(63.5) 2½"	(63.5) 2½"	(63.5) 2½"
Steam Pressure	bar.	psi.	3-4 (44-58)	3-4 (44-58)	3-4 (44-58)	3-4 (44-58)	3-4 (44-58)	3-4 (44-58)	3-4 (44-58)	3-4 (44-58)	3-4 (44-58)	3-4 (44-58)
Steam Consumption	kg/kg dry linen.		0.4-0.6	0.4-0.6	0.4-0.6	0.4-0.6	0.4-0.6	0.4-0.6	0.4-0.6	0.4-0.6	0.4-0.6	0.4-0.6
<b>Compressed Air System :</b>												
Air Inlet Connection	mm.		12	12	12	12	12	12	12	12	12	12
Air Pressure	bar.	psi.	6-8(87-116)	6-8(87-116)	6-8(87-116)	6-8(87-116)	6-8(87-116)	6-8(87-116)	6-8(87-116)	6-8(87-116)	6-8(87-116)	6-8(87-116)
<b>Chemical Connection</b>												
Number of Chemical Connection	Number		3	3	3	3	3	3	3	3	3	3
	NPT		(12.7) 1/2"	(12.7) 1/2"	(12.7) 1/2"	(12.7) 1/2"	(12.7) 1/2"	(12.7) 1/2"	(12.7) 1/2"	(12.7) 1/2"	(12.7) 1/2"	(12.7) 1/2"
Chemical Connection Size	Number		1	1	1	1	1	1	1	1	1	1
	NPT		(25.4) 1"	(25.4) 1"	(25.4) 1"	(25.4) 1"	(25.4) 1"	(25.4) 1"	(25.4) 1"	(25.4) 1"	(25.4) 1"	(25.4) 1"
<b>Weight and Shipping Information :</b>												
Net Weight (approx.)	kg.	lbs.	6158 (13576)	7038 (15516.1)	7917 (17453.9)	8796 (19391.8)	9148 (20167.8)	9500 (20943.9)	10292 (22689.9)	11083 (24433.8)	11877 (26184.3)	12670 (27932.5)

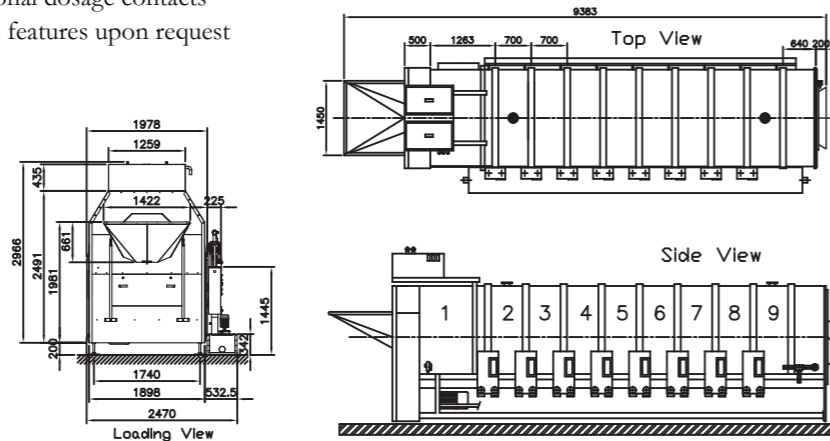
## STANDARD FEATURES:

- Stable design up to 21 compartments
- Drum and piping made of stainless steel
- Integrated water recovery tank
- Linen transfer on bottom
- Big size loading funnel
- Floating tank on top of the machine
- Low-Maintenance support of the drum
- PLC control with dialogue menu
- 50 Free adjustable washing programs
- Graphic LCD color display (Touch screen)
- Integrated fault trouble shooter

## OPTIONS:

- Thermal insulation of drum
- Rapid drain device in Iye box
- Data record and storage system
- Additional monitor
- Printer
- Media measurement devices
- pH probe and connection
- Additional dosage contacts
- Others features upon request

Specification of design is subject to change without notice.  
For additional options please consult factory and distributor.



# X-Power

## Continuous Batch Washer

**C-Type: Counter Flow System**

**MODEL: XPW-40, XPW-60, XPW-90**



ACCURATE TECHNOLOGIES CO., LTD.

Bangkok, Thailand Phone : +66(0)2740-5511 (Auto) Fax : +66(0)2752-2773

Website : www.imagelaundrysystems.com Email : sales@imagelaundrysystems.com

Rev. 2026-001

### PRODUCT INTRODUCTION:

Based on our long quality tradition the continuous batch washer of the X-Power series is extremely rigid and reliable. The machine design includes all the advantages of a bottom transfer machine and a double drum execution. Different machine sizes for batch sizes of 40kg to 100kg are available. They differ in the length and the diameter. Stainless steel inner and outer drums and piping are the standard. The total low maintenance concept allows the economic work with his machines. The highest hygienically standards were full-filled. Special executions and optional equipment is available on request.

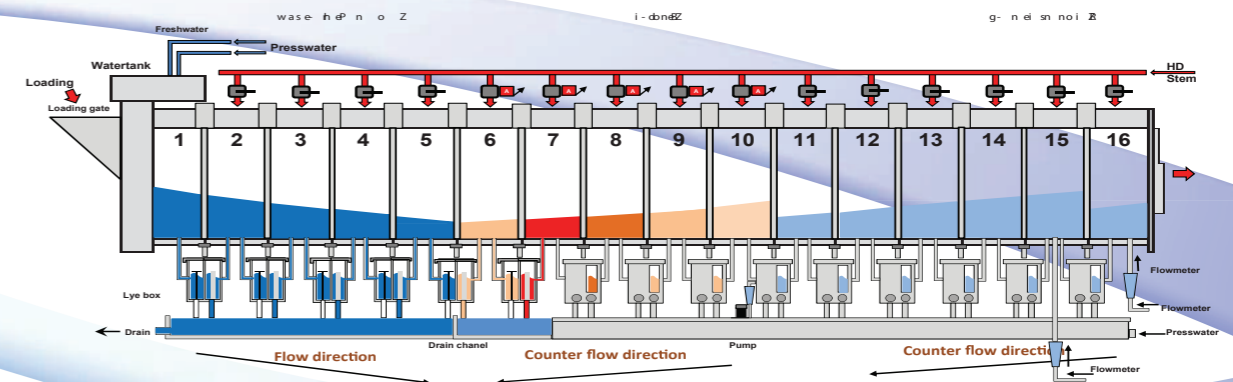
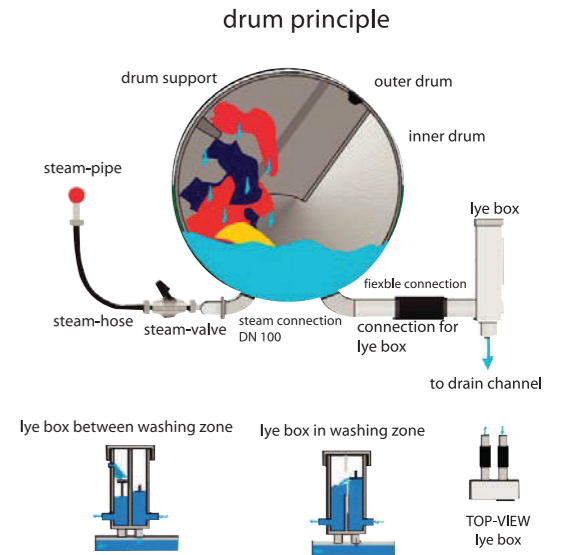
Our batch washer is equipped in the standard with a high efficient washing technology. After the cycle time the linen is pushed and shifted to the next compartment without lifting it. Due to this bottom transfer technology the linen is transported with safety and mild.



A ready to use machine even in the standard execution underlines the complete concept idea. Universal and flexible with various added options and custom made solutions are further possibilities. Always focused on the customer's needs and requests we can offer various machine sizes with different washing capacities. In combination with our other machines a complete washing line can be established.

IMAGE is produced by Accurate technologies in Thailand. High quality standards and qualified engineering guarantee for years of the high performance of our machines.

- Inner and outer drum are concept with extreme small clearance and fulfill the highest hygienic standards. Three connections for chemical to each compartment and 10 free programmable dosing contacts allow various washing procedures.
- The washing procedure is based on the water flow into the tunnel. A combination of water flow in and against linen transport direction creates a high efficient filtering and streaming. Adjustable water height and overflow pipes are also included.
- Intelligent control systems are programmed to the future aspects of washing technology.
- Newest water recycling and filtering technologies work together in our machines.



- Extreme low water consumption due to large water recycling tanks which is standard.
- Easy to understand control and programming software make it simple to adjust the machine for every washing process and all program parameter. The user terminal has a touch screen monitor for visualizing all necessary information in graphic mode from the high quality PLC system. Pending angle, turning speed, unloading speed and all data specifying a wash program can be programmed. Data reports and storage is also an optional feature.