



# Ampicker

Sheet Separator

# SPECIFICATION

## Standard Features :

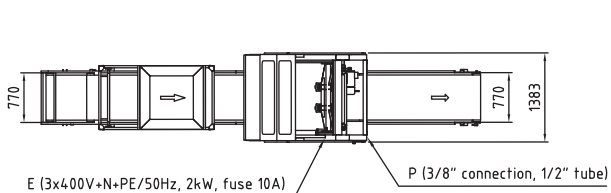
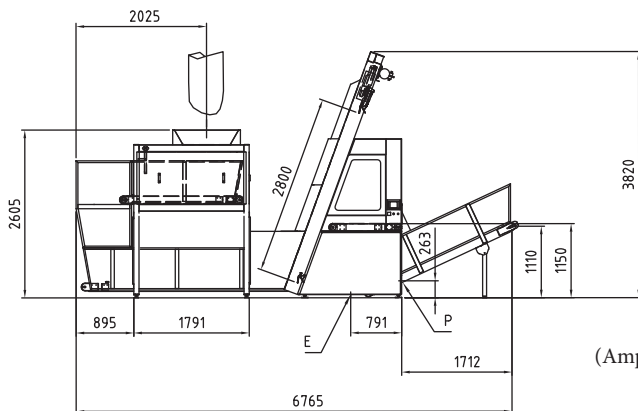
- Up to 1700 sheets/hour
- Double picker
- Independent clamps
- Touch screen panel
- All timing belt driven

## Optional Features :

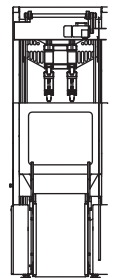
- Batch separator
- Bypass conveyor
- Delivery conveyors
- Chute
- Lower version

## Technical Information :

- Electrical
  - Voltage : 3x400V+N+PE / 50 Hz
  - Power : 2.1 kW, Fuses 10A
- Pneumatic
  - Pressure : 6 -10 Bar
  - Consumption : 3600NI / 1000 movements
  - Connection : 3/8" (1/2" tube)
- Miscellaneous
  - Noise level : 75 dBA
- Production Materials Sheets, table sheets, draw sheets, duvets
  - Quantity : Up to 1700 sheets



(Ampicker with batchseparator bypassconveyor H=1100)



Specification of design is subject to change without notice. For additional options please consult factory and distributor.



ACCURATE TECHNOLOGIES CO., LTD.

Bangkok, Thailand Phone : +66(0)2740-5511 (Auto) Fax : +66(0)2752-2773  
 Website : [www.imagelaundrysystems.com](http://www.imagelaundrysystems.com) Email : [sales@imagelaundrysystems.com](mailto:sales@imagelaundrysystems.com)

Rev. 2026-001