



### Standard Features :

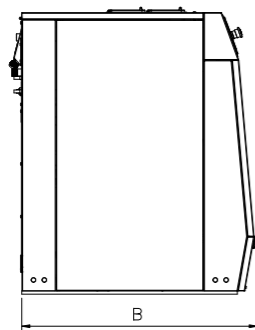
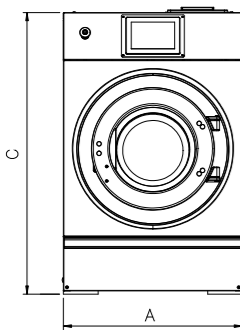
- All wetted parts are 304 (18/8) stainless steel
- 3 or 4 compartments supply dispensers
- 30-cycle microprocessor
- 150G extraction force
- 5 degree lean back for strength and easier loading
- Built in vacuum breaker
- Variable speed frequency inverter

### Optional Features :

- Direct Steam Heating
- Electrical Heating
- EMI Filter for CE
- Special Voltage Modifications

Model			HX-22	HX-35	HX-50	HX-65	HX-85	HX-100
<b>Units of Measurement</b>	<b>Matric</b>	<b>US</b>						
Maximum Capacity	kg.	lbs.	10 (22)	16 (35)	23 (50)	29 (65)	38.3 (85)	49.89 (110)
<b>Overall Dimensions :</b>								
A - Machine Width	mm.	inch	660 (25.98")	769 (30.27")	769 (30.27")	878 (34.56")	1051 (41.37")	1051 (41.37")
B - Machine Depth	mm.	inch	905 (35.62")	1025 (40.35")	1133 (44.60")	1196 (47.20")	1253 (49.33")	1397 (55")
C - Machine Height	mm.	inch	1013 (39.88")	1133 (44.72")	1229 (48.38")	1331 (52.40")	1610 (63.38")	1610 (63.38")
<b>Cylinder Information :</b>								
Basket Diameter	mm.	inch	535 (21.06")	610 (24.01")	680 (26.77")	790 (31.10")	920 (36.20")	920 (36.20")
Basket Depth	mm.	inch	408 (16.06")	498 (19.60")	580 (22.83")	595 (23.42")	574 (22.60")	718 (28.26")
Basket Volume	cu.m	cu.ft	0.09 (3.24")	0.15 (5.14")	0.21 (7.44")	0.29 (10.30")	0.38 (13.47")	0.48 (16.85")
<b>Door Opening and Height :</b>								
Door opening Diameter	mm.	inch	302 (11.88")	365 (14.37")	365 (14.37")	450 (17.71")	510 (20.07")	510 (20.07")
Height of Door Bottom Above Floor	mm.	inch	378 (14.88")	420 (16.35")	486 (19.13")	507 (19.96")	654 (25.74")	667 (26.26")
<b>Drive Information :</b>								
Number of Motors	Number		1	1	1	1	1	1
Size of Motor	kW	HP	0.75 (1)	1.5 (2)	2.2 (3)	3 (4)	4 (5.5)	5.5 (7.5)
<b>Cylinder Speeds :</b>								
Wash	RPM	G-Force	52 (0.8)	49 (0.8)	46 (0.8)	44 (0.8)	40 (0.8)	40 (0.8)
Distribution	RPM	G-Force	82 (2)	77 (2)	74 (2)	68 (2)	65 (2)	65 (2)
Extract	RPM	G-Force	818 (200)	766 (200)	725 (200)	674 (200)	624 (200)	624 (200)
<b>Water Inlets and Consumption :</b>								
Hot Water Size	NPT		3/4"	3/4"	3/4"	3/4"	3/4"	3/4"
Cold Water Size	NPT		3/4"	3/4"	3/4"	3/4"	3/4"	3/4"
Additional Water Inlet	NPT		3/4"	3/4"	3/4"	3/4"	3/4"	3/4"
Average HOT Water Consumption/Cycle	liters	gal	91 (24)	91 (24)	193(51)	223 (59)	223 (59)	223 (59)
Average COLD Water Consumption/Cycle	liters	gal	174(46)	174(46)	102(27)	106 (28)	106 (28)	106 (28)
<b>Drain Outlets and Capacity :</b>								
Number of Drains	Number		1	1	1	1	1	1
Drain Size	mm.	inch	50.8 (2")	50.8 (2")	50.8 (2")	76.2 (3")	76.2 (3")	76.2 (3")
Drain Capacity	liters/min	gpm	117 (31)	117 (31)	310 (81.9)	581 (153.5)	581 (153.5)	581 (153.5)
<b>Steam Inlet and Consumption :</b>								
Steam Inlet Connection	NPT		1/2"	1/2"	1/2"	1/2"	1/2"	1/2"
Steam Pressure	bar	Psi	6 (100)	6 (100)	6 (100)	6 (100)	6 (100)	6 (100)
Steam Consumption	kg/hr	lb/hr	N/A	N/A	N/A	N/A	N/A	N/A
<b>Weight and Shipping Information :</b>								
Net Weight (approx.)	kg.	lbs.	201.50(444)	283.80(625.70)	351.90(775.80)	431(950.20)	613(1351.40)	675(1488.10)
Domestic Shipping weight (approx.)	kg.	lbs.	216.50(477.30)	298.80(658.70)	367.40(809.90)	540(1190.50)	634.70(1399.30)	700(1543.20)

Specification of design is subject to change without notice. For additional options please consult factory and distributor.



ISO 9001 : 2015



ISO 14001 : 2015



ISO 13485 : 2016



ISO 45001 : 2018



UKAS MANAGEMENT SYSTEMS

# Washer Extractor

## HX Series

MODEL : HX-22, HX-35, HX- 50,  
HX- 65, HX- 85, HX- 100





# HX Series - HARDMOUNT

The Image HE series - Hardmount Medium Speed Economy Washer- Extractors for General Laundry Applications

## *Outstanding Reliability and Efficiency at a Price you can afford*

Powerful, efficient, and affordable. These the design keys for the economy series of Hardmount washer-extractors. Our simple innovative features and robust design ensure low cost of ownership and infrequent maintenance. Simple design and fewer parts are the guarantee. Our combined engineering expertise in the industry assures that you will receive the best for less and products that will meet today's and tomorrow's need in the laundry industry. We know you don't have time to deal with breakdowns.

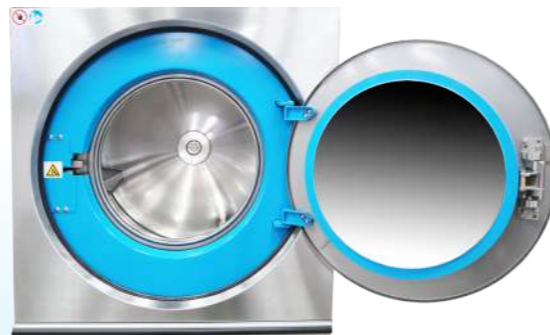
## *Advanced Touch Screen Control*

The IMAGE Touch Screen Controller (IWT) is an advanced and user-friendly system capable of storing up to 50 customizable wash programs. Featuring an intuitive GUI interface, multi-language support, and USB & SD card connectivity, it enables easy program management via IWS software. The controller precisely manages water levels, temperature, wash speeds, drainage, and chemical dosing to deliver optimum wash performance with maximum efficiency and lower operating costs.



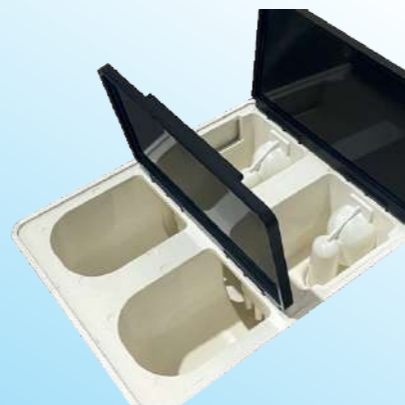
## *Large Door Opening and Safe Door Interlock*

The polished stainless steel loading door opens 180 degrees for ease of loading and unloading, and operates using high strength cast hinges. The door glass is tempered and silicone gasketing makes for long life, no leaks, and excellent door alignment.



## *Supply Dispenser*

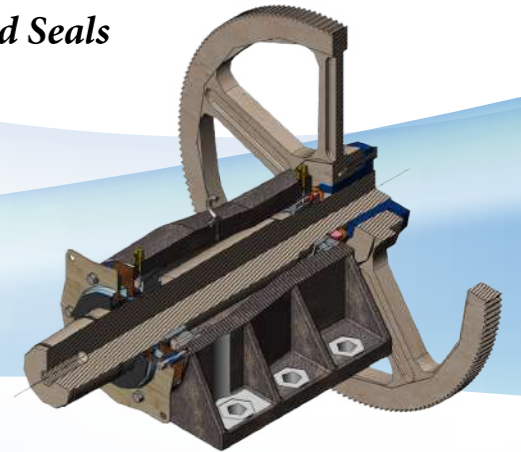
The dispenser is located on top of the machine and has four compartments - two for powders, and two for liquids. The chemicals are flushed into the wash cylinder via a vacuum breaker in the back of the machine. Chemicals enter the washer under the water level for better dilution and reduced potential for damage.



# Medium Speed Economy Washer - Extractors

## *Solid Bearing Housing with High Quality Bearings and Seals*

The unique technologies CARB bearing design handles bearing misalignment internally for quieter and longer operational life. The bearing housing is high grade ductile iron, and the assembly can be removed from the machine without machine disassembly. 200G versions use our standard roller bearing.



## *Robust Energy Efficient Drive*

Fuji inverters are used in all of our washers and dryers. The Fuji Inverter controls speed, currents and our exclusive out of balance protection allows for maximum extraction force even for difficult to process loads.



## *Solid Mount Construction*

The solidly welded powder coated steel frame is simple and durable. Featuring our standard inside/outside bolt hole arrangement, the machine can be easily installed anywhere. The 5 degree lean back design reduces noise, vibration, and bearing loads, increasing the service life of the machine.

