



Vacuum Ironing Table

# SPECIFICATION

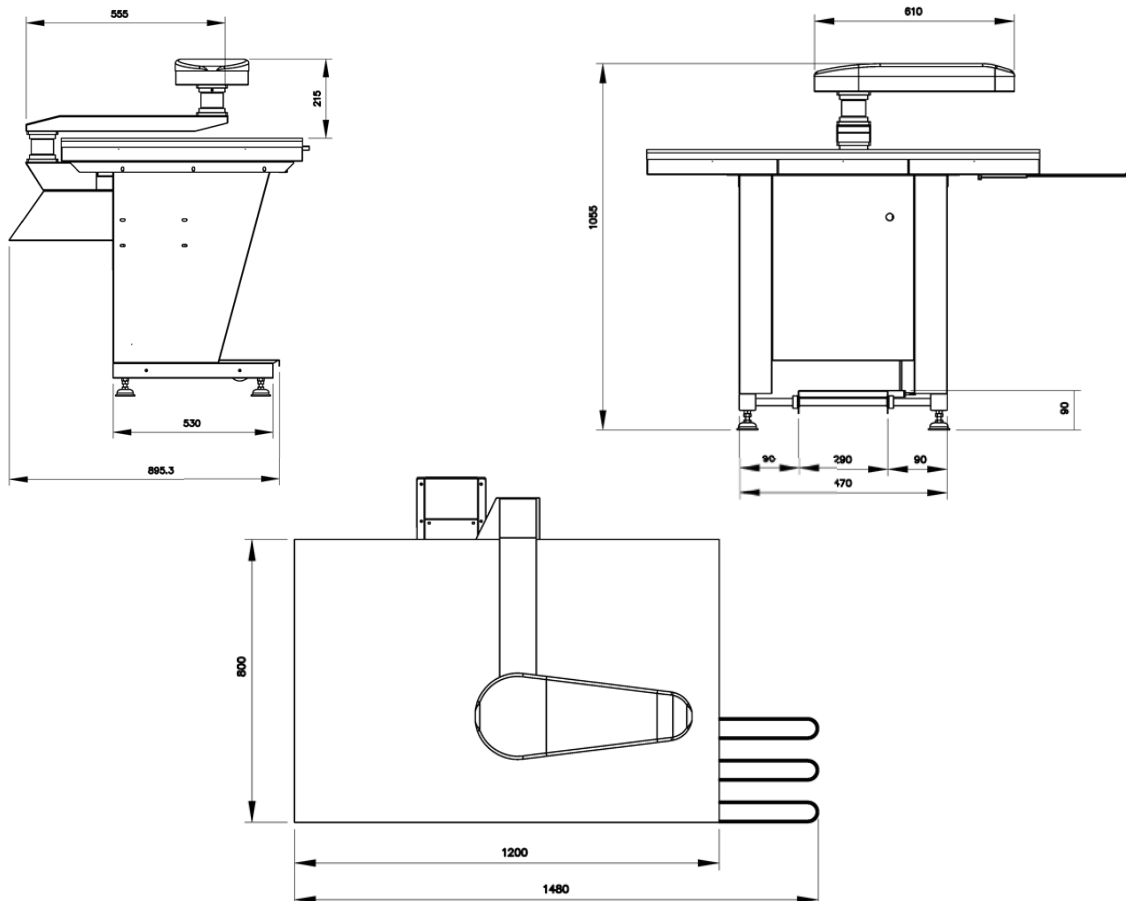
## Standard Features :

- Best finishing quality
- Vacuum moisture from ironing padding, leaving the top ready for ironing
- Compact with movable arm set
- Sturdy construction
- Powerful suction
- Ready - plug for ironer

## For general ironing use :

- Board size : 1200 x 650 mm.
- Powerful vacuum with built-in vacuum unit operated by pedal.
- One arm with shape
- Overall dimension : 865 x 1630 x 960 mm.
- Motor size : 1/2 HP
- Voltage : 220v/50Hz./1PH.

Specification of design is subject to change without notice.  
For additional options please consult factory and distributor.



ISO 9001 : 2015



UKAS  
REGISTERED  
9512106  
OAS



ISO 14001 : 2015



ISO 13485 : 2016

ACCURATE TECHNOLOGIES CO., LTD.

Bangkok, Thailand Phone : +66(0)2740-5511 (Auto) Fax : +66(0)2752-2773

Website : [www accuratethai.com](http://www accuratethai.com) Email : [sales@accuratethai.com](mailto:sales@accuratethai.com)

Rev. 2019-000