



# Towel Folder and Stacker

Compact  
Economic  
Easy access  
Touch screen panel  
Up to 1000 pieces/hour  
All cross by reverse belts

# SPECIFICATION

## MTF - E / P :

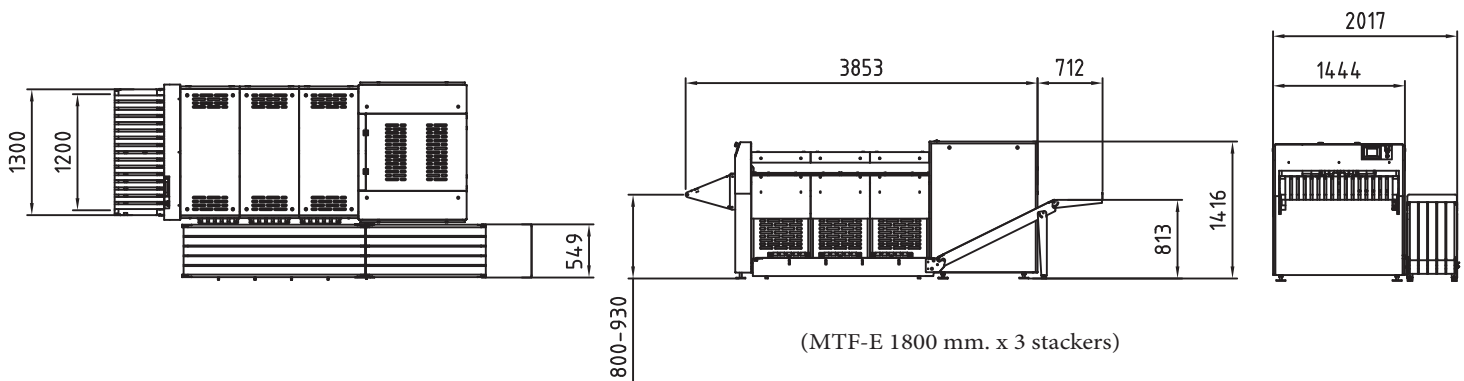
- E - Primary French fold with air
- P - Lengthfold is with knife

## Standard Features :

- With suction in the feeding table, the towel is fixated before feed into the towel folder
- The length fold is automatic, depending on towel size and made by French folding, with air
- 1 or 2 Crossfolds by reverse belts and air
- The towels will be sorted and stacked on 3 or 4 positions automatically
- Rolloff stackers 3 or 4 positions
- Touch screen is self-programmable to set for each piece the correct program
- USB stick connection for backup of settings

## Technical Information :

- Electrical
  - Voltage : 3x400V+N+PE / 50 Hz
  - Power : 4 kW, Fuses 16A
- Pneumatic
  - Pressure : 6 -10 Bar
  - Consumption : 2000NI / 1000 towels
  - Connection : 3/8" (1/2" tube)
- Miscellaneous
  - Noise level : 75 dBA
  - Speed : 50 m/min
- Production Materials Towels, garments
  - Max. size : 1.75 m x 1.05 m
  - Min. size : 0.50 m x 0.48 m



Specification of design is subject to change without notice. For additional options please consult factory and distributor.

